



DISPENSERS



PUMPS



METERS



NOZZLES



FILTRATION



FLUID MONITORING

# SELF 2000 / SELF 3000

## FEATURES

- MANUAL
- VERSATILE
- HIGH EFFICIENCY
- LEVER PROTECTION

The PIUSI SELF 2000 / SELF 3000 manual nozzles perform the maximum efficiency thanks to the low-flow resistance and the wide range of applications including transfer systems run by gravity. They are supplied with removable lever protection and connectors.

## PERFORMANCE

UP TO

**150 L/MIN**

FLOW-RATE

**25MM**

OD SPOUT

SELF 2000 / SELF 3000



SELF 2000 DIESEL



SELF 3000 DIESEL/GASOLINE



PLASTIC NOZZLE WATER/DIESEL



PLASTIC NOZZLE WATER/FOOD



## PACKAGING

CODE	WEIGHT		PACKAGING			N. BOXES / EUROPALLET	
	KG	LBS	MM	INCH	PCS/BOX		
00063900A	0,7	1,5	400X250X200	16X11X7,8	1		
00064900A	0,7	1,5	400X250X200	16X11X7,8	1		
00064902A	0,7	1,5	400X250X200	16X11X7,8	1		
00065001A	0,7	1,5	400X250X200	16X11X7,8	1		
00065600A	0,7	1,5	400X250X200	16X11X7,8	1		
FOO641120	0,7	1,5	400X250X200	16X11X7,8	1		
FOO641130	0,7	1,5	400X250X200	16X11X7,8	1		
FOO65000A	0,7	1,5	400X250X200	16X11X7,8	1		
FOO650020	0,7	1,5	400X250X200	16X11X7,8	1		
FOO63000A	0,3	0,7	-	-	1		



HOSE REELS



ACCESSORIES



MERCHANDISE



AIR



ANTIFREEZE



AdBlue®



BIODIESEL



DIESEL



FOOD



GASOLINE



GREASE



KEROSENE



OIL



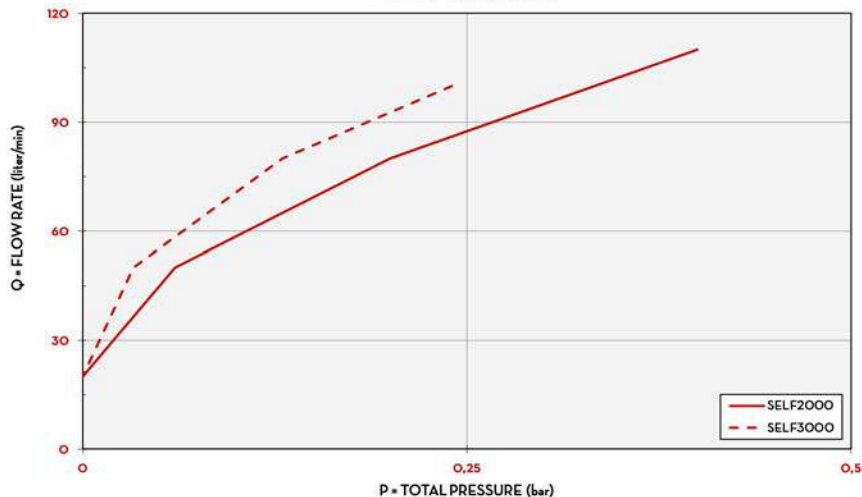
WATER



WINDSCREEN

## CHART

### SELF2000/3000



**TYPE OF FLUID** DIESEL  
**TEMPERATURE** 18 °C

## IN THE BOX

- SELF 2000/ SELF 3000 NOZZLE
- INSTRUCTION MANUAL

## DETAILS

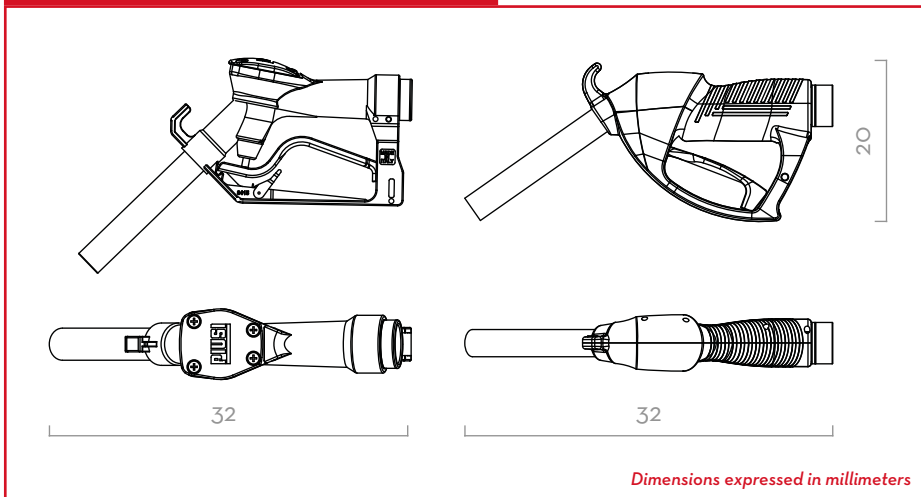


LEVER PROTECTION



ROTATING SWIVEL

## DIMENSIONS



## MATERIALS

- BODY: ALUMINIUM
- SEAL: VITON

## TECHNICAL DATA

CODE	DESCRIPTION	FLUIDS TYPE	FLOW-RATE		INLET		SPOUT
			L/MIN	GPM	SWIVEL	Ø BSP	EXT. Ø MM
00063900A	SELF2000 1" BSP - UNLEADED SPOUT	B D G O	120	32	FEMALE	1" BSP	20
00064900A	SELF 2000 - 3/4 BSP	B D O	120	32	FEMALE	3/4" BSP	25
00064902A	SELF 2000 - 3/4 BSP - UNLEADED SPOUT	B D G O	120	32	FEMALE	3/4" BSP	20
00065001A	SELF 3000 1 UNLEADED SPOUTSELF 2000 1"	B D O	150	40	FEMALE	1" BSP	20
00065600A	SELF 2000 1"	B D O	120	32	FEMALE	1" BSP	25
FO0641120	SELF 2000 WITH HOSE TAIL	B D O	120	32	FEMALE	3/4" BSP	25
FO0641130	SELF 2000 1	B D O	120	32	FEMALE	1" BSP	25
FO065000A	SELF 3000 1	B D O	150	40	FEMALE	1" BSP	25
FO0650020	SELF 3000 1 UNLEADED SPOUT	B D G O W	150	40	FEMALE	1" BSP	20
FO063000A	PLASTIC NOZZLE-S 1" BLACK	B D O W	80	21	FEMALE	1" BSP	34

# SELF 2000 / SELF 3000