



CAR FILLING



DISPENSERS



PUMPS



METERS



NOZZLE METERS



NOZZLES

OCIO

FEATURES

- **READY TO USE**
- **BUILT-IN DISPLAY**
- **STAINLESS STEEL PROBE**

OCIO is the Piusi's tank level indicator specifically designed for AdBlue® thanks to its stainless steel probe.

PERFORMANCE

up to
4MT
height
TANK

1%
full scale
ACCURACY

up to
50 MT
length
PROBE TUBE

up to
30 CST
VISCOSITY



OCIO



10 METERS HOSE



STAINLESS STEEL PROBE

PACKAGING

| CODE | WEIGHT | | PACKAGING | | |
|-----------|--------|-----|-------------|---------------|---------|
| | KG | LBS | MM | INCH | PCS/BOX |
| FO0755140 | 2,2 | 4,8 | 300X410X100 | 11,8X16,1X3,9 | 1 |



FILTRATION



FLUID MONITORING



HOSE REELS



ACCESSORIES



MERCHANDISE

PIUSI

INDEX



AIR



ANTIFREEZE



AdBlue®



BIODIESEL



DIESEL



FOOD



GASOLINE



GREASE



KEROSENE



OIL

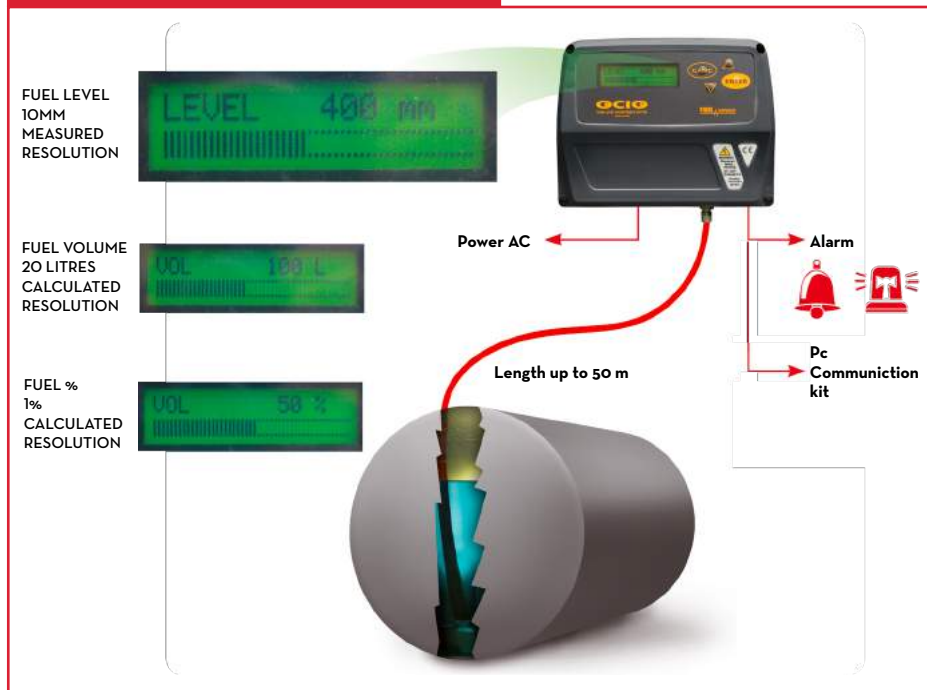


WATER



WINDSCREEN

FUNCTIONING



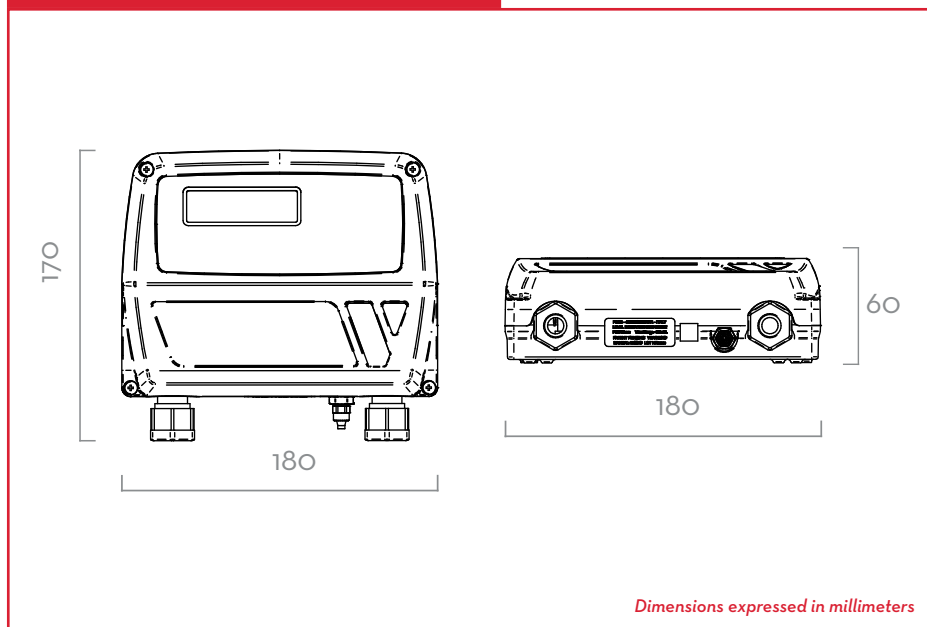
IN THE BOX

- OCIO UNIT
- PROBE
- 10 MT TUBE
- INSTRUCTION MANUAL

DETAILS



DIMENSIONS



MATERIALS

- PROBE: STAINLESS STEEL
- TUBE: TECHNOPOLYMER

TECHNICAL DATA

| CODE | DESCRIPTION | FLUIDS TYPE | VISCOSITY | | VOLTAGE | | RS EXIT |
|-----------|-------------|-------------|-----------|---------|------------|-----------|---------|
| | | | cSt | AC V/HZ | POWER WATT | | |
| FO0755140 | OCIO UREA | A B D O W | UREA | 230/50 | 20 | AVAILABLE | |

OCIO