



CAR FILLING



DISPENSERS



PUMPS



METERS



NOZZLE METERS



NOZZLES

MP 180

FEATURES

- IN/OUT INTERCHANGEABLE
- LONG LIFE DIAPHRAGM
- BUILT-IN DIFFUSER
- SUITABLE FOR SUBMERSIBLE INSTALLATIONS
- MULTI-PURPOSE PUMP
- STURDY DESIGN

The Piusi MP 180 is a long-lasting pneumatic diaphragm pump suitable for an heavy duty usage. Thanks to its characteristics, this multi-purpose pump allows a range of wide installations including potentially explosive conditions.



PERFORMANCE

UP TO

150 L/MIN

FLOW RATE

MAX CAPACITY

5M

SELF PRIMING

MAX

7 BAR

AIR SUPPLY

PRESSURE

MAX

Ø 4MM

PASSING SOLID



MP180

PACKAGING

| CODE | WEIGHT | | PACKAGING | | |
|-----------|--------|------|-------------|----------------|---------|
| | KG | LBS | MM | INCH | PCS/BOX |
| FOO208P30 | 7,5 | 16,5 | 270X390X400 | 10,6X15,4X15,7 | 1 |



FILTRATION



FLUID MONITORING



HOSE REELS



ACCESSORIES



MERCHANDISE



AIR



ANTIFREEZE



AdBlue®



BIODIESEL



DIESEL



FOOD



GASOLINE



GREASE



KEROSENE



OIL

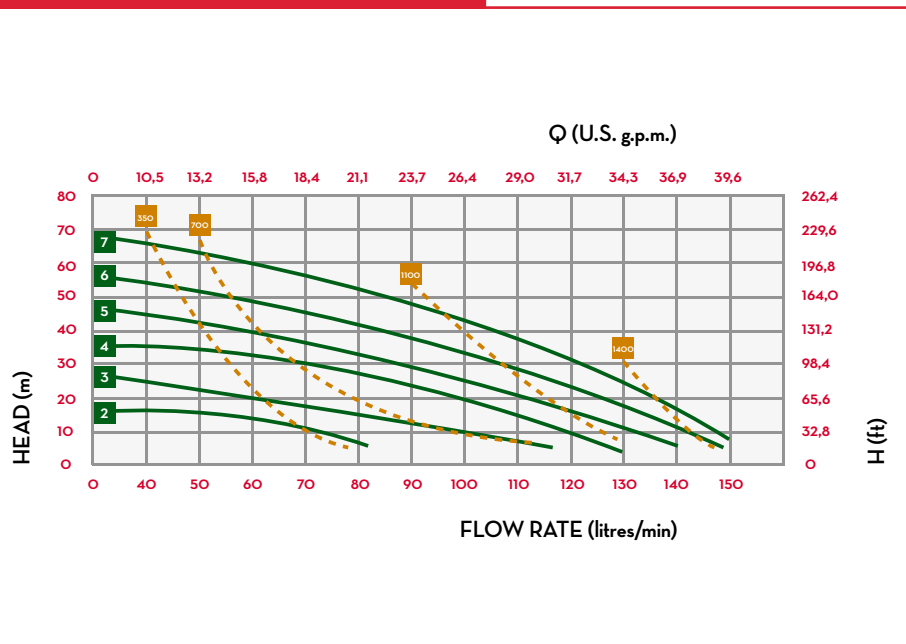


WATER



WINDSCREEN

CHARTS



IN THE BOX

- MP PUMP
- INSTRUCTION MANUAL

DETAILS



HEAVY DUTY MATERIALS

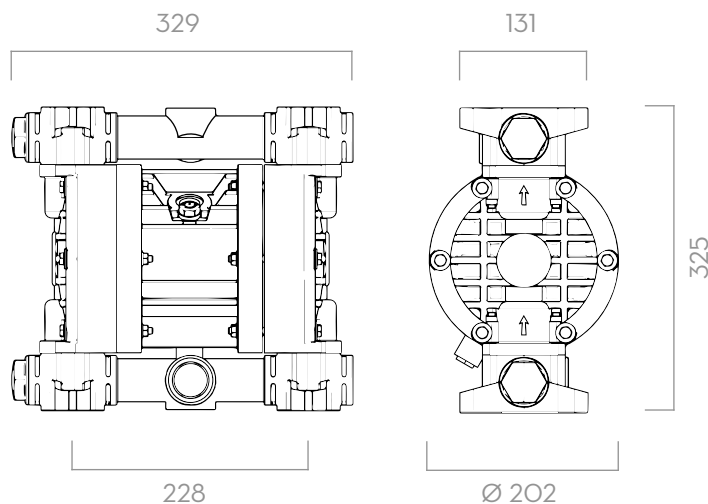


TECHNOPOLYMER BODY



STURDY DESIGN

DIMENSIONS



Dimensions expressed in millimeters

MATERIALS

- BODY: TECHNOPOLYMER
- SIDE PARTS AND COLLECTORS: POLYPROPYLENE
- DIAPHRAGM: EPDM

TECHNICAL DATA

| CODE | DESCRIPTION | FLUIDS TYPE | PUMP BODY | IN / OUT | FLOW RATE L/MIN | MEMBRANE TYPE | DIAPHRAGM AIR SIDE/ FLUID SIDE | BALLS | BALL SEATS* | O-RING* | INTAKE / DELIVERY CONNECTION | AIR CONNECTION | MAX SELF-PRIMING CAPACITY | MAX HEAD** | MAX AIR SUPPLY PRESSURE | MAX Ø OF PASSING SOLID |
|-----------|--------------|-------------|---------------|----------|-----------------|---------------|--------------------------------|-------|---------------|---------|------------------------------|----------------|---------------------------|------------|-------------------------|------------------------|
| | | | | | | | | | | | | | M | M | BAR | MM |
| FOO208P30 | PIUSI MP 180 | | POLYPROPYLENE | 1" G | 150 | DOUBLE | PTFE/ HYTREL | PTFE | POLYPROPYLENE | PTFE | G 1" F | G 3/8" F | 5 | 70 | 7 | 4 |

(*) ON REQUEST WE CAN PROVIDE MEMBRANES, BALLS, BALL SEATS AND O-RINGS IN DIFFERENT MATERIALS.

(**) THE VALUE DEPENDS ON THE CONFIGURATION OF THE PUMP