



CAR FILLING



DISPENSERS



PUMPS



METERS



NOZZLE METERS



NOZZLES

# MP 130

## FEATURES

- IN/OUT INTERCHANGEABLE
- LONG LIFE DIAPHRAGM
- BUILT-IN DIFFUSER
- SUITABLE FOR SUBMERSIBLE INSTALLATIONS
- HEAVY DUTY
- STURDY DESIGN

The Piusi MP 130 is a pneumatic diaphragm pump suitable for transferring AdBlue®. Thanks to its small size, this pump is easy to fit. It is self-priming and it can run dry without damage.



## PERFORMANCE

UP TO

**50 L/MIN**

FLOW RATE

MAX CAPACITY

**5M**

SELF PRIMING

MAX

**7 BAR**

AIR SUPPLY

PRESSURE

MAX

**Ø 4MM**

PASSING SOLID



MP130

## PACKAGING

CODE	WEIGHT		PACKAGING		
	KG	LBS	MM	INCH	PCS/BOX
FOO208POO	3,6	7,9	220X310X320	8,7X12X12,6	1



FILTRATION



FLUID MONITORING



HOSE REELS



ACCESSORIES



MERCHANDISE



AIR



ANTIFREEZE



AdBlue®



BIODIESEL



DIESEL



FOOD



GASOLINE



GREASE



KEROSENE



OIL

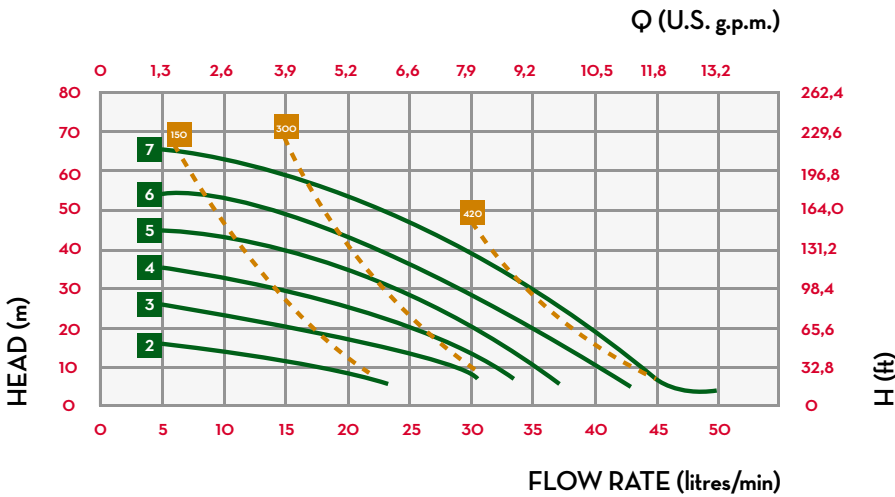


WATER



WINDSCREEN

## CHARTS



## IN THE BOX

- MP PUMP
- INSTRUCTION MANUAL

## DETAILS



HEAVY DUTY MATERIALS



TECHNOPOLYMER BODY

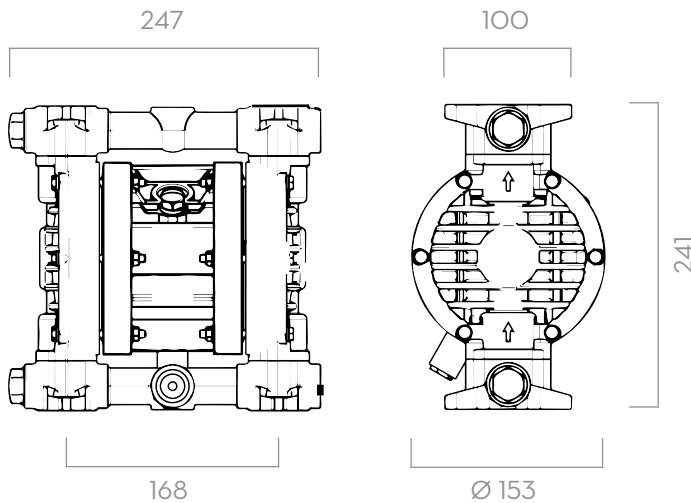


STURDY DESIGN

## MATERIALS

- BODY: TECHNOPOLYMER
- SIDE PARTS AND COLLECTORS: POLYPROPYLENE
- DIAPHRAGM: EPDM

## DIMENSIONS



Dimensions expressed in millimeters

## TECHNICAL DATA

CODE	DESCRIPTION	FLUIDS TYPE	PUMP BODY	IN / OUT	FLOW RATE L/MIN	MEMBRANE TYPE	DIAPHRAGM AIR SIDE/ FLUID SIDE	BALLS	BALL SEATS*	O-RING*	INTAKE / DELIVERY CONNECTION	AIR CONNECTION	MAX SELF-PRIMING CAPACITY	MAX HEAD**	MAX AIR SUPPLY PRESSURE	MAX Ø OF PASSING SOLID
													M	M	BAR	MM
FOO208POO	PIUSI MP 130		POLYPROPYLENE	1/2" G	50	DOUBLE	PTFE/ HYTREL	PTFE	POLYPROPYLENE	PTFE	G 1/2" F	G 3/8" F	5	70	7	4

(\*) ON REQUEST WE CAN PROVIDE MEMBRANES, BALLS, BALL SEATS AND O-RINGS IN DIFFERENT MATERIALS.

(\*\*) THE VALUE DEPENDS ON THE CONFIGURATION OF THE PUMP